



## **SEMI - AUTOMATIC DEPALLETIZER**



The bottle gripping head is totally made of stainless steel.

Thanks to its ergonomic control system, it is very simple and pleasant to use.

The lifting system has two speeds ;

The trolley moves on a zinc-coated rail that is fixed to two stainless steel brackets.

Optional : special configurations (see on the back)

Three combs guaranty a quick change of the bottle size, thanks to the 6 hand screws.

The unused grips will be disconnected from the air system.

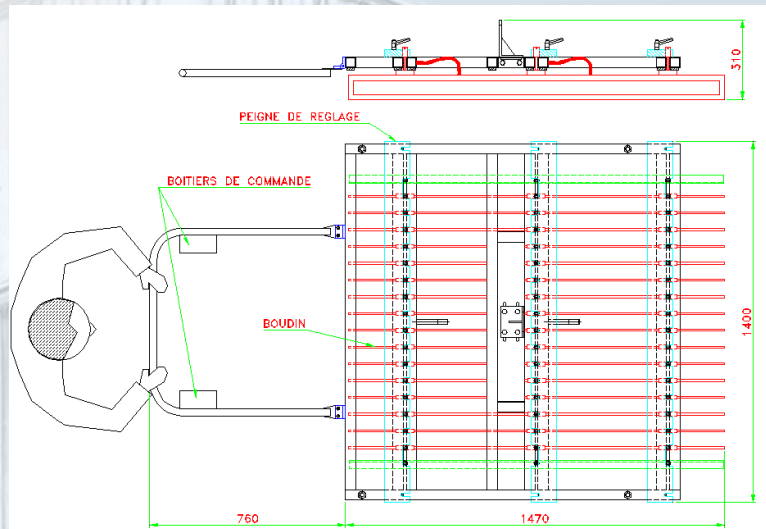
# **STEVIAL**

Sarl au capital de 800 000 €  
3, Rue de la Fecht - ZI - F-68126 BENNWIHR-GARE  
Tél : 00 33 3 89 21 41 00 Fax : 00 33 3 89 21 41 01  
[stevial@stevial.com](mailto:stevial@stevial.com) - [www.stevial.com](http://www.stevial.com)

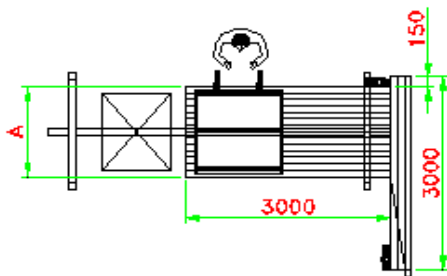
## Technical Data

- Rate up to 8000 B./Hour
- Compressed air consumption: approx. 5 m<sup>3</sup>/h with 6000 B./Hour
- Working pressure : max. 1 bar / cm<sup>2</sup>
- Total installed electric power : 1,15 kW
- Low-voltage electric control : 48 V

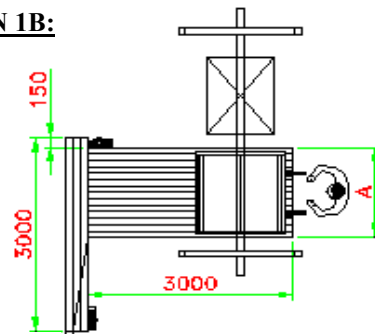
Can be delivered with or without the depalletizing table.



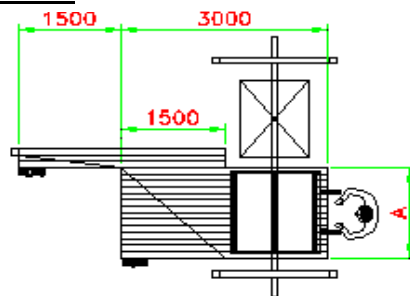
**VERSION 1A:**



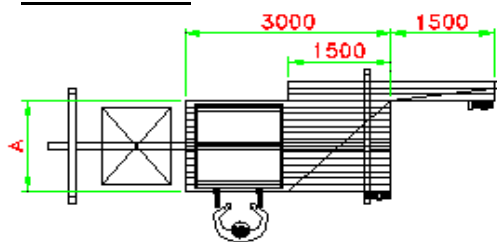
**VERSION 1B:**



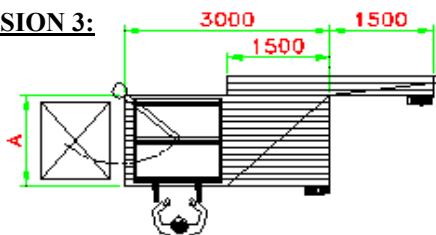
**VERSION 2B:**



**VERSION 2A:**



**VERSION 3:**



A : 16 ways x 82,5 = 1425 mm

A : 7 ways x 190,6 = 1390 mm

# STEVIAL

Sarl au capital de 800 000 €  
 3, Rue de la Fecht - ZI - F-68126 BENNWIHR-GARE  
 Tél. : 00 33 3 89 21 41 00 Fax : 00 33 3 89 21 41 01  
 stevial@stevial.com - www.stevial.com