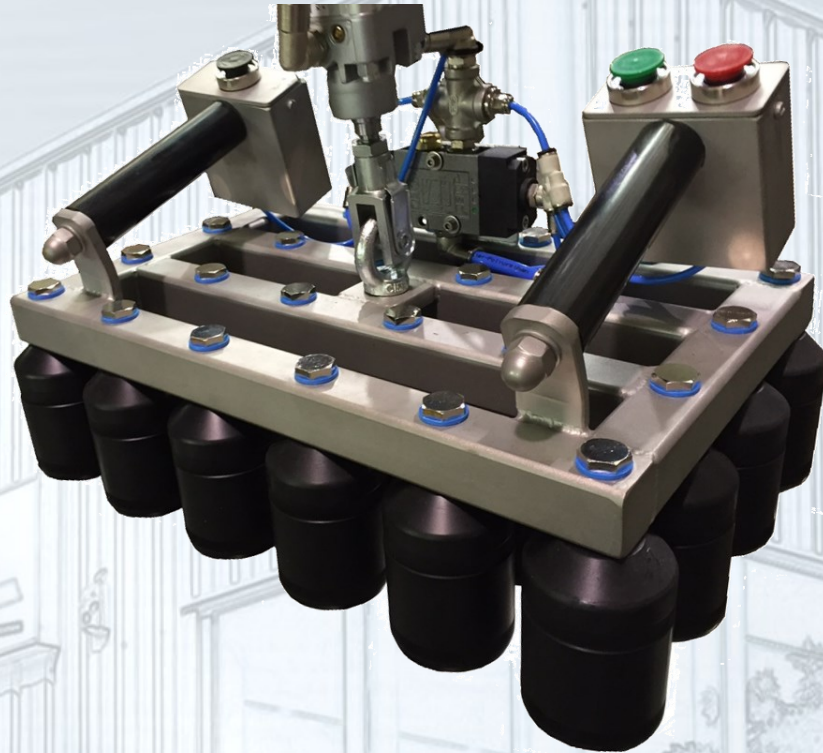




SEMI - AUTOMATIC PREHENSION HEAD



Prehension system for bottles, for the unpacking and packing of cartons and cases.

Characteristics:

- Mechanical tightening of the bottles assisted by pneumatic pack tulips
- Pack tulips controlled by 2 push-buttons easily accessible
- Vertical movement controlled by push-button

Accessories to make the operations easier:

- The head is attached to a 950mm-stroke pneumatic cylinder or load balancer
- 2000mm-long pivoting bracket with trolley
- 3000mm-long stainless steel post (which can carry the bracket support)

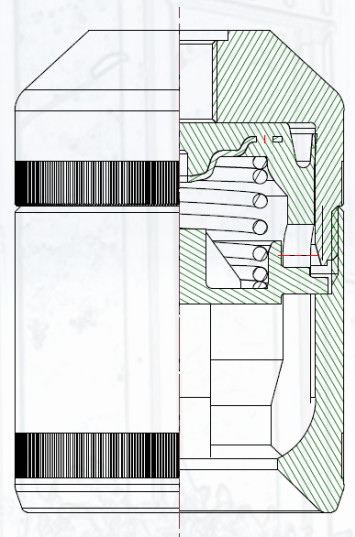
Description: Stainless steel frame

Air pressure: 5-6 bar

Working rate: up to 6.000 b/h with cartons of 24 bottles.

Accessories available:

Table for the deposit of the bottles after unpacking
Layer preparation table for the packing



STEVIAL

Sarl au capital de 800 000 €

3, Rue de la Fecht - ZI - F-68126 BENNWIHR-GARE

Tél. : 00 33 3 89 21 41 00 Fax : 00 33 3 89 21 41 01

stevial@stevial.com - www.stevial.com